

CLEARVUE INSTALLATION METHODS



PURLINS



RAFTERS



SPAN BAR

ClearVue

ClearVue

ROOFING SYSTEM



CLEARVUE INFORMATION

If you need further information on ClearVue visit www.clearvue.co.nz. Otherwise we have a dedicated ClearVue team that can answer any questions and give you quotes contact clearvue@psp.co.nz to get in touch.

Note: The ClearVue Translucent Roofing System is a water resistant system, not a waterproof system.

SAFETY

Never walk directly on ClearVue Roofing System panels. Use a board placed across at least 3 rafters to spread the load.

Ensure all local safety building regulations/codes are adhered to.

HANDLING & STORAGE

ClearVue Roofing System Panels should be handled with care to avoid any unnecessary scratches prior to installation. ClearVue should be stored on a flat surface away from direct sunlight. When stacked together this will prevent possible magnification of the sun's rays through the top sheets which may cause distortion of the lower sheets. Prevent moisture getting between stored sheets. ClearVue will continue to look new when washed down regularly with a soft sponge and warm soapy water. ClearVue Panels are unaffected by a wide range of chemical substance however, it is important to avoid chemicals, paint, adhesives or other synthetic materials that are not compatible with Acrylic and Polycarbonate. Please contact PSP Translucent Roofing if you are unsure.

SUPPLIED BY
PSP MATERIALS PRODUCTS SOLUTIONS



INDUSTRY ASSOCIATIONS:
masterspec partner

PRODUCTSPEC
SMARTSPEC

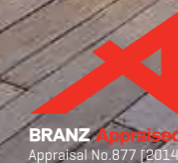


ClearVue

Visit: clearvue.co.nz | Call: 0800 786 883

NOTE: Uncontrolled in printed format.

PSP MATERIALS PRODUCTS SOLUTIONS



NZ'S ONLY BRANZ APPRAISED
TRANSLUCENT ROOFING SYSTEM



CLEARVUE TRANSLUCENT ROOFING

ClearVue is NZ's only BRANZ Appraised Solution for Clear Roofing

Impressive design spans achievable using the unique glazing system ensure a modern linear look and fluid flow from indoor to outdoor, with minimum structural interruption. ClearVue is lightweight and flexible and strong enough to protect from wind, rain and snow. ClearVue high quality flat panel design will make most out of the light, without the cost and weight of glass.

CLEARVUE FEATURES

- Powder coating options available.
- Impact resistant.
- Economically priced compared to Glass Systems.
- Blocks up to 99.9% of harmful UV rays, protecting you and your family.
- Lightweight.
- 15 year full replacement.
- Easy to install.
- BRANZ appraised.

PSP ClearVue Roofing System can be installed on rafters, purlins & a self-supporting span bar system. It is suitable for domestic (Acrylic) and commercial (Polycarbonate) applications. The system is adaptable and versatile to accommodate various roofing structures in width and length.

CLEARVUE PROPERTIES

The ClearVue Roofing System is for use over open areas. There is no weather tightness requirement nonetheless the ClearVue Roofing System provides an adequate weather tightness seal at the glazing supports.

Properties	6mm Gauge	8mm Gauge
Overall Width/Centres	586mm/600mm	736mm/750mm
Thickness (nom)	6.0mm	8.0mm
Clear & Grey Tints Lengths (Acrylic Domestic Application)	3700mm & 5100mm	3700mm & 5100mm
Clear, Diffused & Solar Control (Polycarbonate Commercial Application)	-	6000mm
Blue Breeze (Polycarbonate Commercial Application)	-	4000mm & 6000mm



V280323

CLEARVUE PANEL COLOUR OPTIONS



ClearVue Clear

89% Light Transmission
89% Heat Transmission



ClearVue Grey Tint

49% Light Transmission
71% Heat Transmission



ClearVue Diffused

85% Light Transmission
85% Heat Transmission
100% Light Diffusion



ClearVue Solar Control

35% Light Transmission
57% Heat Transmission

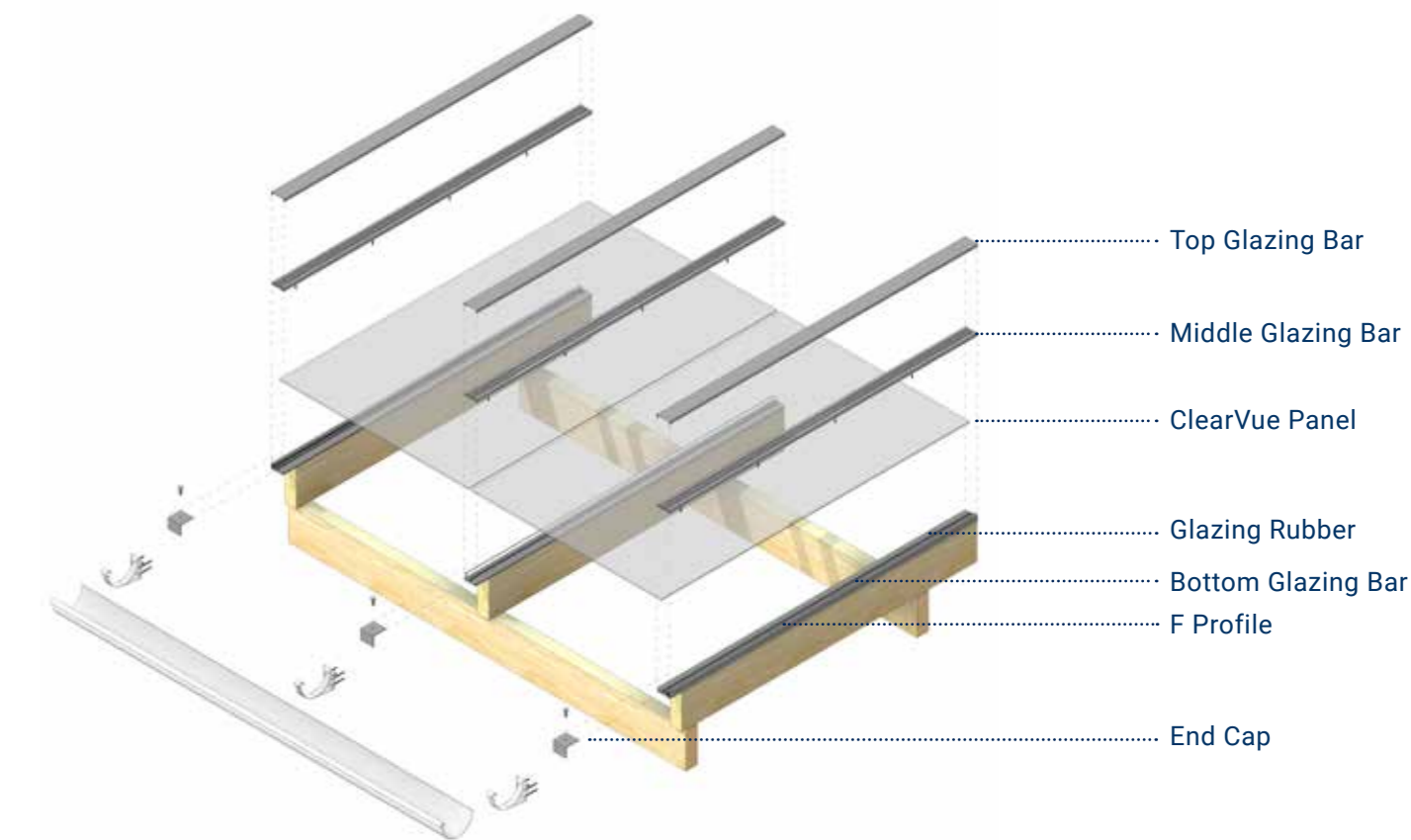


ClearVue Blue Breeze

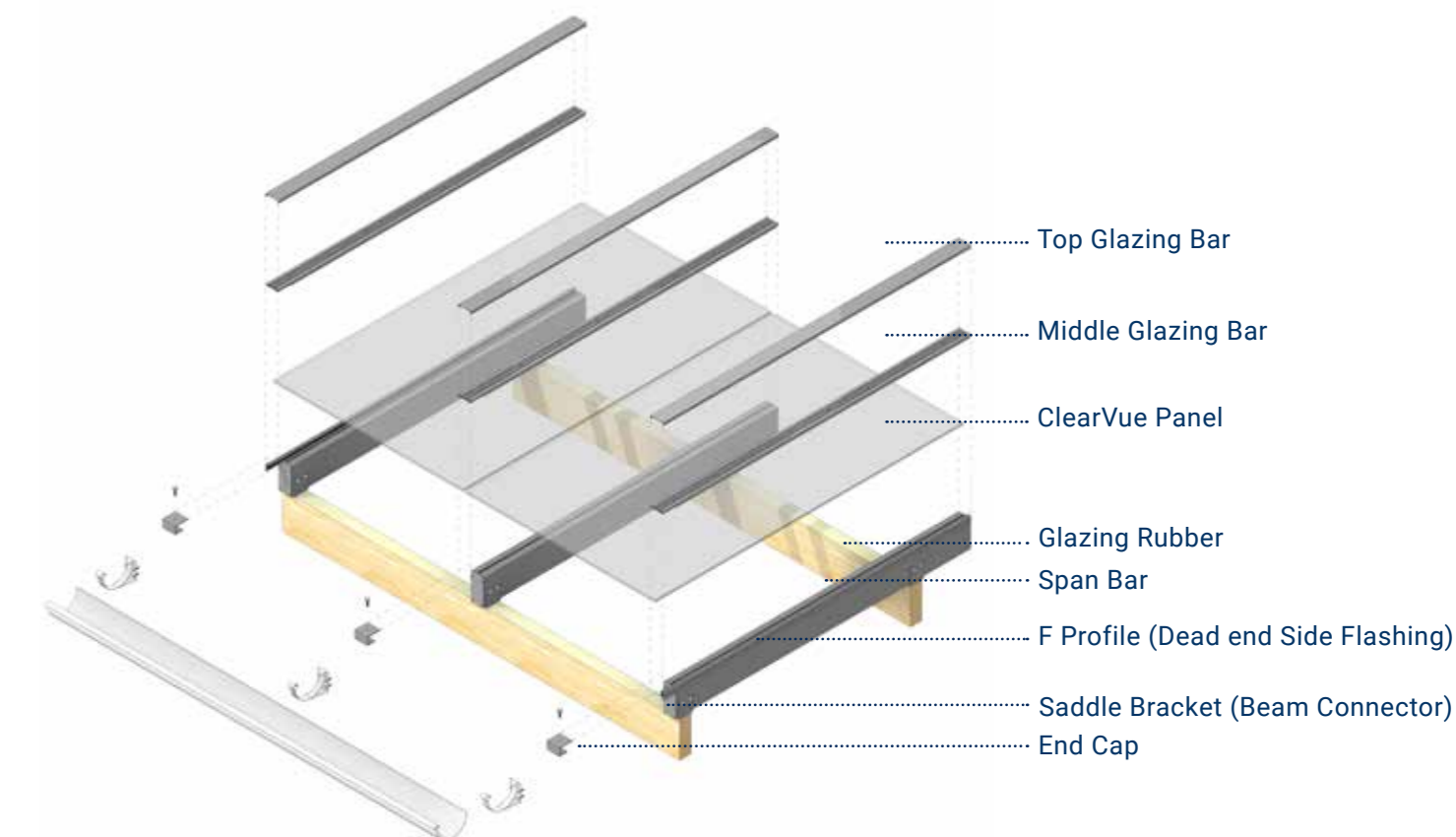
70% Light Transmission
55% Heat Transmission

CLEARVUE GLAZING SYSTEMS

Rafter Components Option



Span Bar Components Option



Please note: The gutter system is not part of the system but an option sourced elsewhere.